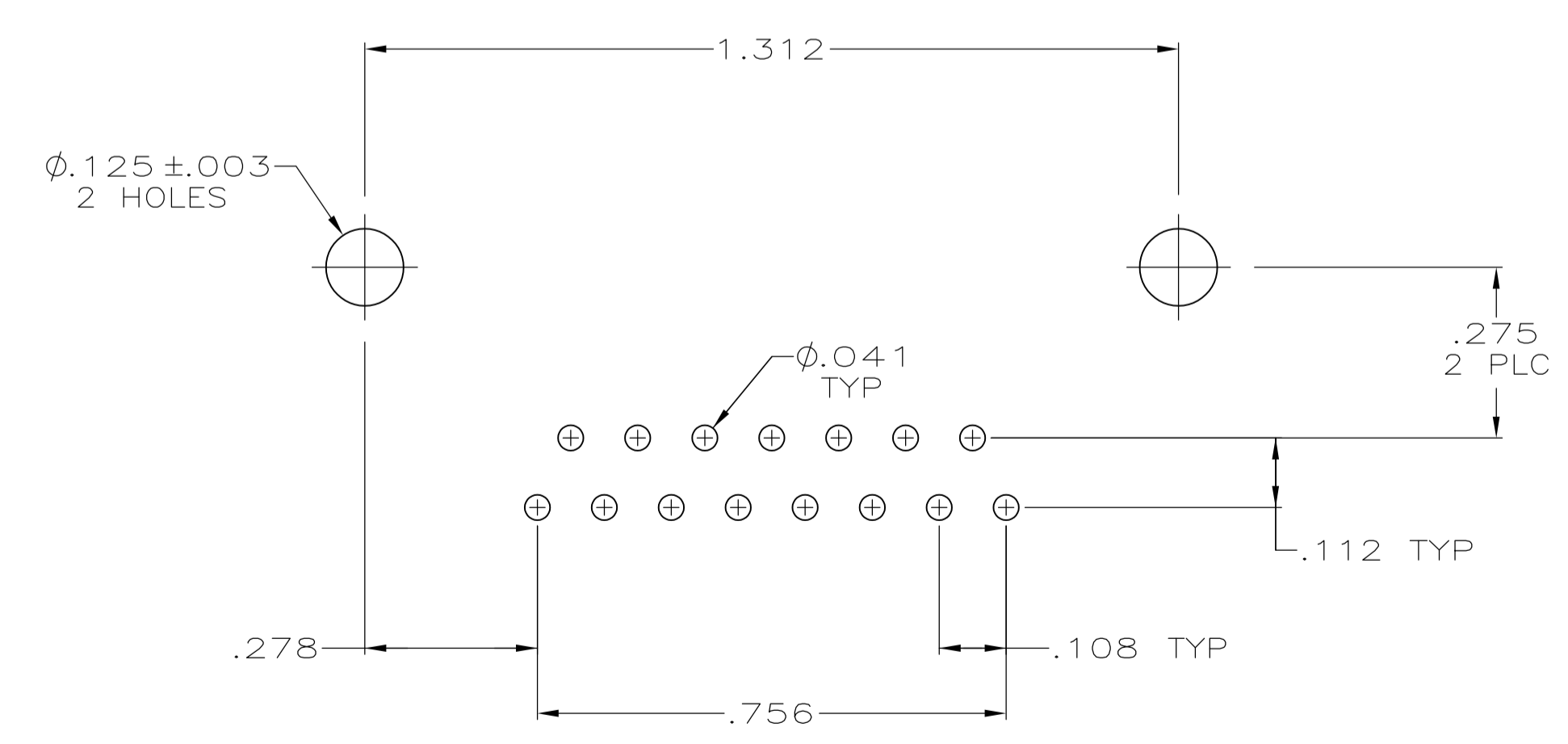
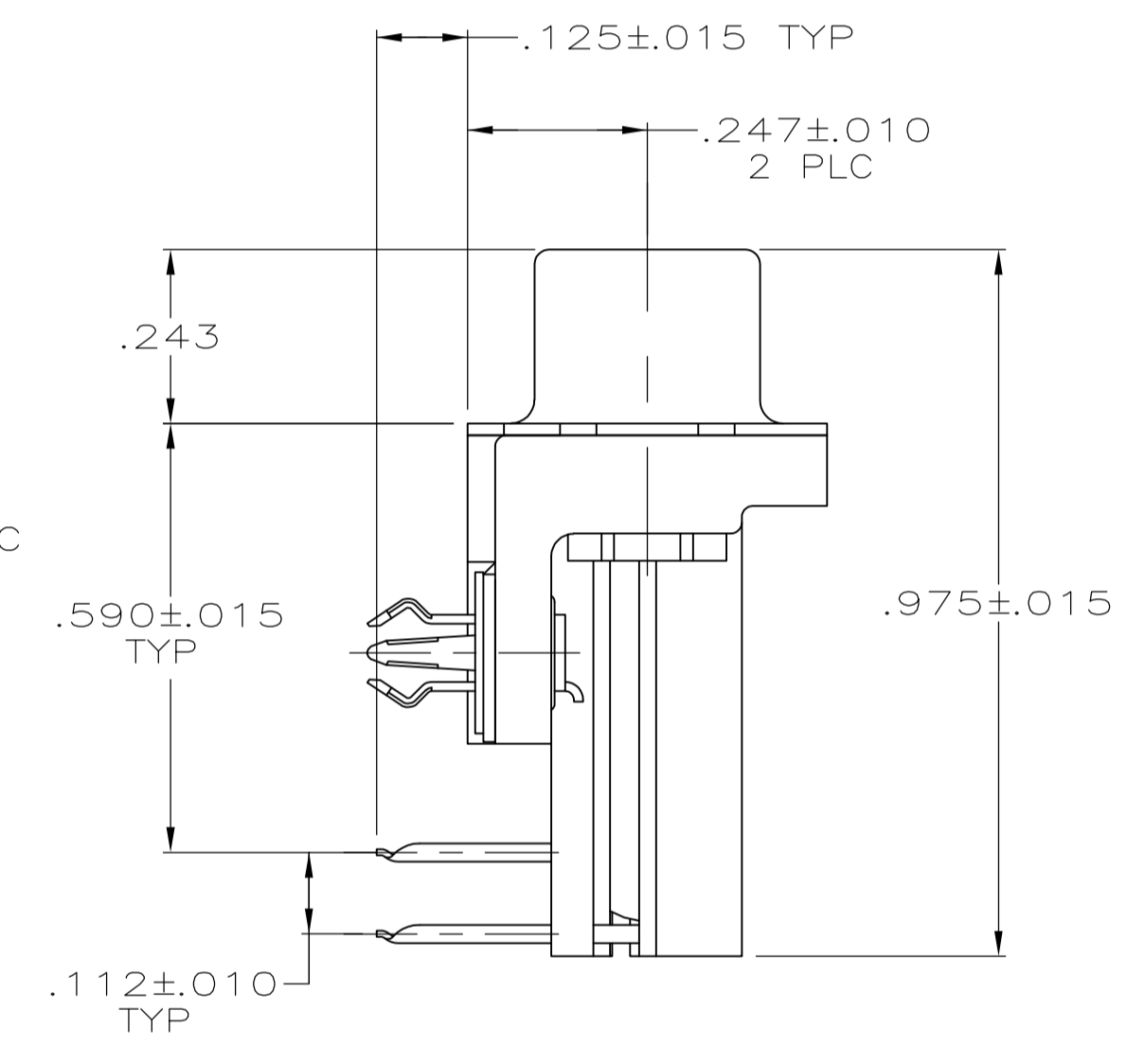
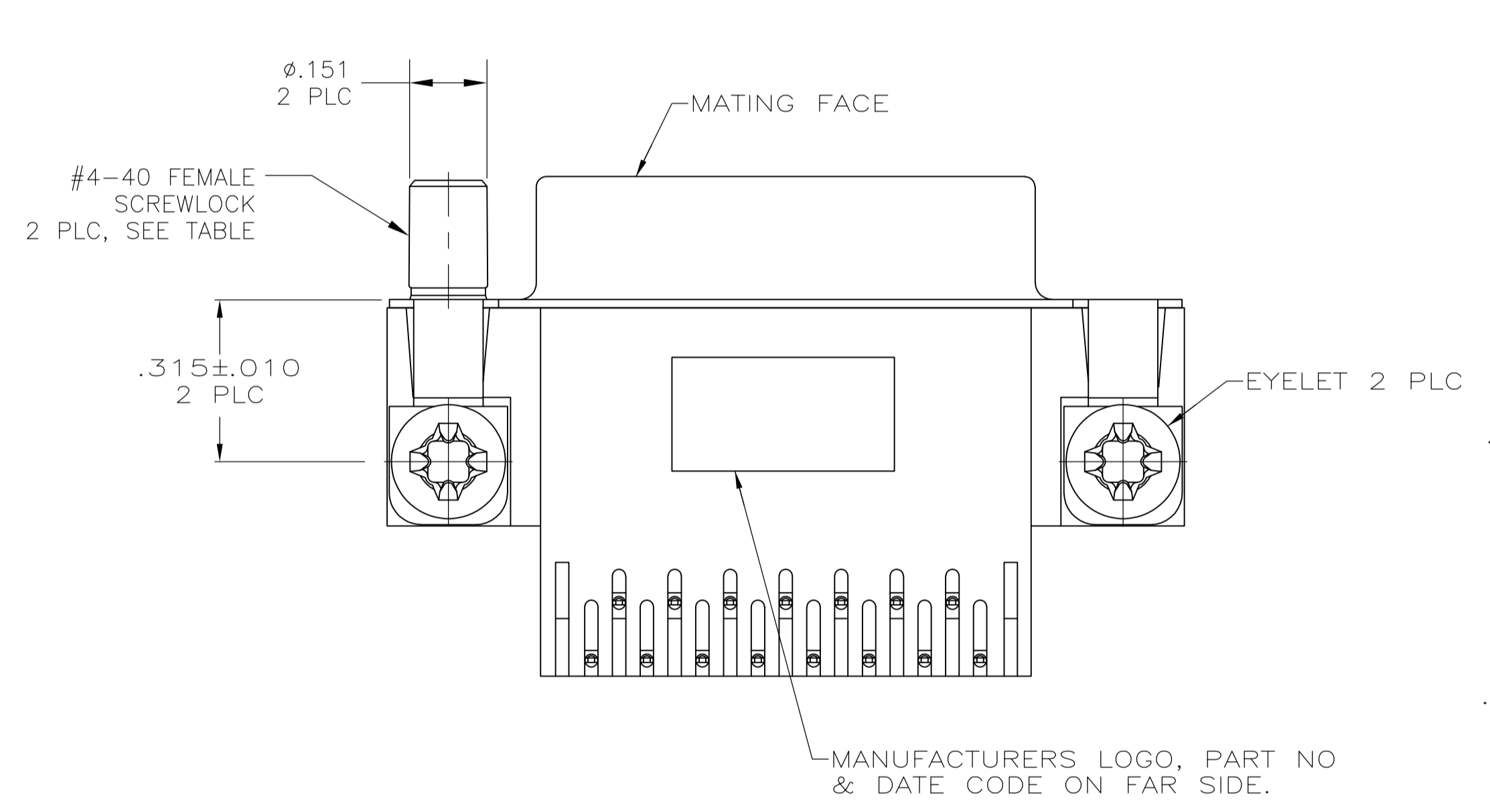
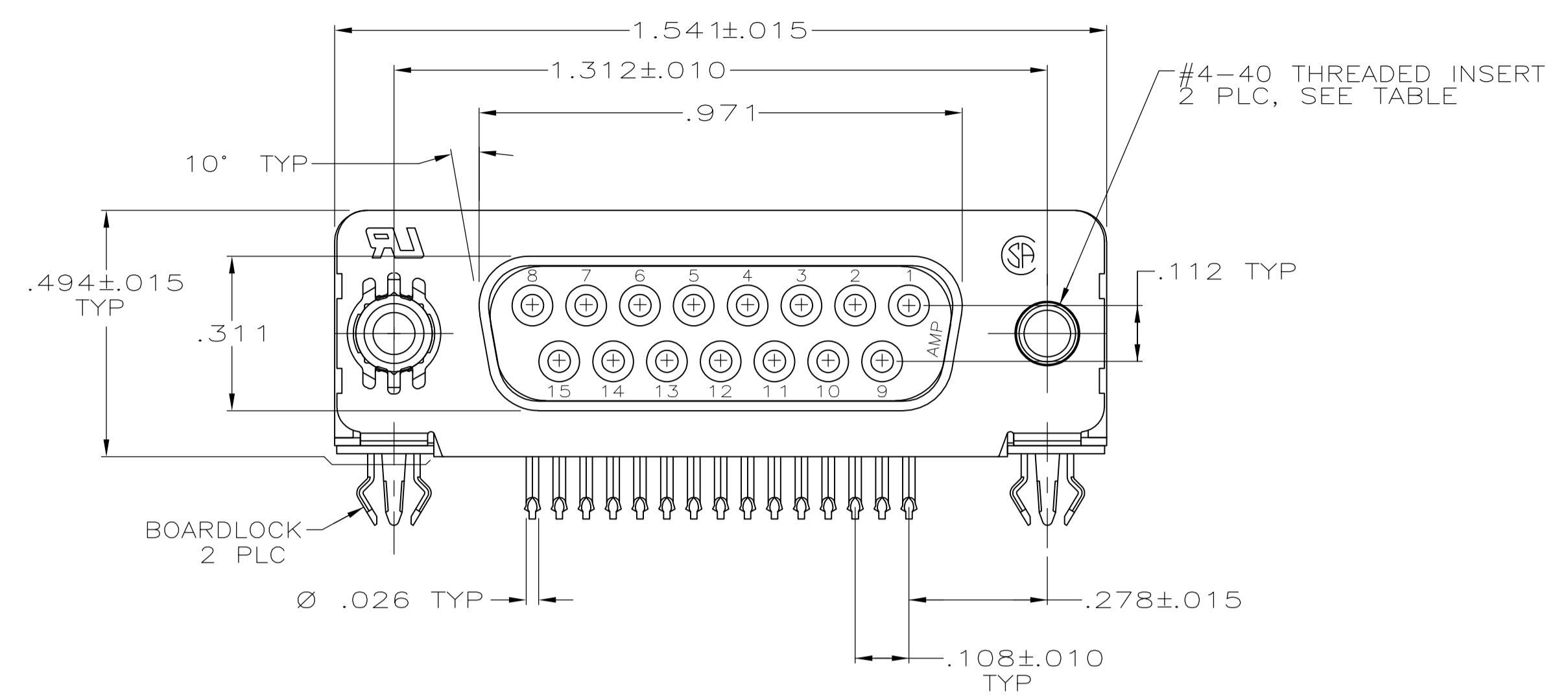


LOC		DIST		REVISIONS			
P	LTR	DESCRIPTION	DATE	DN	APVD		
B		REVISED PER ECO-13-000922	22FEB2013	BMM	SLB		



PC BOARD MOUNTING DIMENSIONS

- 1 HOUSING: FLAME RETARDANT, 94V-0 RATED, THERMOPLASTIC, BLACK.
SHELL: CARBON STEEL.
CONTACTS: PHOSPHOR BRONZE.
EYELETS: BRASS.
INSERTS & SCREWLOCKS: ZINC.
BOARDLOCKS: COPPER ALLOY.
- 2 SHELL: .000100 MIN TIN OVER .000050 MIN COPPER.
CONTACTS: .000030 MIN GOLD FOR A DISTANCE OF .100 MIN FROM MATING END, .000100 MIN TIN ON TERMINATION END, ALL OVER .000050 MIN. NICKEL ON ENTIRE CONTACT.
EYELETS: .000100 MIN TIN OVER COPPER FLASH.
BOARDLOCKS: .000150 MIN TIN OVER .000050 MIN NICKEL.
INSERTS & SCREWLOCKS: CLEAR CHROMATE.

**COPYRIGHT 2005
TYCO ELECTRONICS CORP
ALL RIGHTS RESERVED**

OBSOLETE	FEMALE SCREWLOCKS	5747837-6
	THREADED INSERT	5747837-4
	MOUNTING HARDWARE	PART NUMBER

THIS DRAWING IS A CONTROLLED DOCUMENT. DIMENSIONING AND TOLERANCING PER ASME Y14.5M-2009		DIN G. ATTADIA - 04-11-05 DOCKS	APVD M. WALMSLEY 04-11-05	NAME
DIMENSIONS: INCHES		TOLERANCES UNLESS OTHERWISE SPECIFIED:		PRODUCT SPEC
0 PLC ± -		1 PLC ± -		108-40025
1 PLC ± -		2 PLC ± -		APPLICATION SPEC
2 PLC ± -		3 PLC ± .005		114-40010
3 PLC ± -		4 PLC ± -		SIZE CAGE CODE DRAWING NO
4 PLC ± -		ANGLES ± °		A1 00779 C=5747837
MATERIAL	FINISH	WEIGHT	SCALE	RESTRICTED TO
1	2	-	4:1	1 OF 1 REV B
CUSTOMER DRAWING		SHEET 1 OF 1 REV B		